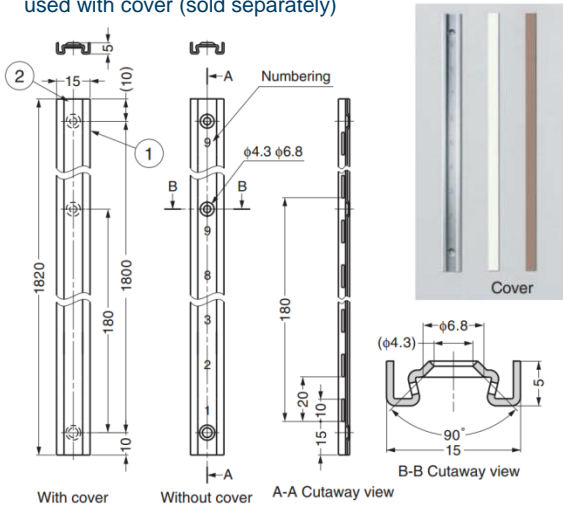


GSPW-1820 Shelf Standard

Features

- Shelf supports are adjustable every 20 mm
- Screw holes and slots are concealed when used with cover (sold separately)



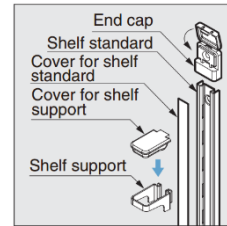
Sold Separately

- Cover
- Shelf support **GSPW-20** (below)
- End cap **GSPW-EC20** (below)
- End cap **GSP-18E**

Recommended Screws

- Countersunk tapping screw 3

Installation



No.	Part Name	Material	Finish/Colour
①	Shelf Standard	Stainless Steel (SUS430)	Satin
②	Cover	Rigid Polyvinyl Chloride	White, Brown

Shelf Standard

Part No.	Holes
GSPW-1820	11

Cover (Sold Separately)

Part No.	Colour
GSPW-CV1820-WT	White
GSPW-CV1820-BR	Brown

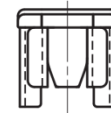
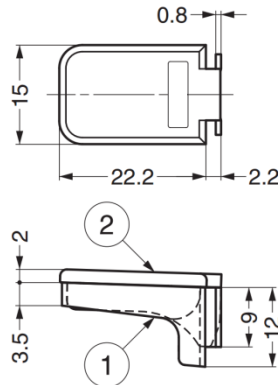
GSPW-20 Shelf Support

Features

- For GSPW-1820 (above)
- Has resistance to vibration

No.	Part Name	Material	Finish/Colour
①	Shelf Support	Stainless Steel (SUS304)	Mirror
②	Cover	Elastomer (TPE)	White, Brown

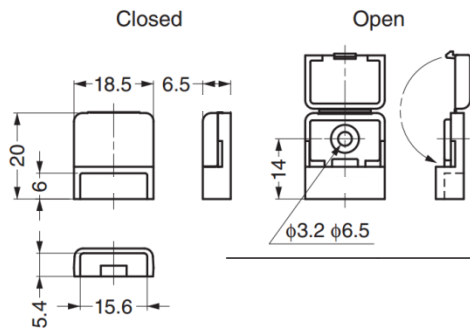
Part No.	Colour	Load Capacity / 4pcs
GSPW-20-WT	White	785 N 80 kg
GSPW-20-BR	Brown	



GSPW-EC20 End Cap

Features

- For GSPW-1820 (above), GSP, GSPS, GSM, GSPH shelf standards



Part No.	Material	Colour
SPW-EC20-WT	Polypropylene (PP)	White
SPW-EC20-BR		Brown

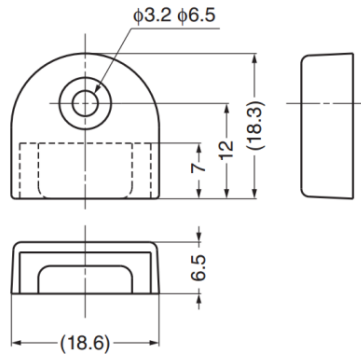
GSP-18E End Cap

Features

- For GSPH, GSM, GSP, GSPW

Recommended Screws

- Countersunk head wood screw 3.1



Part No.	Colour	Material
GSP-18E-BL	Black	ABS
GSP-18E-WT	White	